



Foot switch with metal enclosure

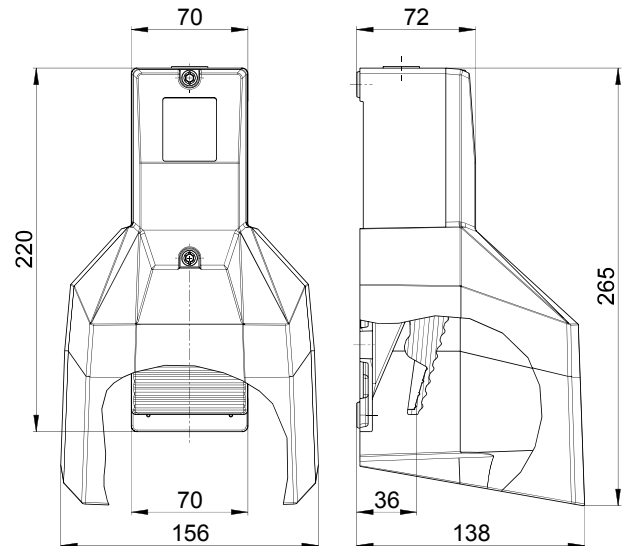
GFSM 2Ö/2S

Material no.: 1048682 (material no. old: 81204001)

Product features

- With protective shield
- Metal enclosure
- High level of stability
- Low pedal height
- Wiring compartment

Dimensions



Technical data

Applied standards
EN 60947-5-1

Enclosure
aluminium die-cast, powder-coated

Pedal
thermoplastic, glass-fibre reinforced, shockproof, self-extinguishing UL 94 V-0

Protective shield
aluminium die-cast, powder-coated

Degree of protection
IP65 (IEC/EN 60529)

B_{10d} (10 % load)
2 million

T_M
max. 20 years

Connection
screw connection terminals

Cable cross-section
max. 2.5 mm² (incl. conductor ferrules)

Cable entry
1 x M20 x 1.5

Contact material
silver

Switching system
snap action, positive break NC contacts ⊖

Switching elements
2 NC/2 NO contacts, type Zb

Switch insert
2 x ZS 232

Utilisation category
AC-15

Rated operating current/voltage I_e/U_e
4 A/230 VAC; 2.5 A/400 VAC; 1 A/500 VAC

Short-circuit protection
4 A gG/gN fuse

Ambient temperature
-25 °C ... +80 °C

Mechanical life
> 1 million operations

Approvals



Weight
1316 g

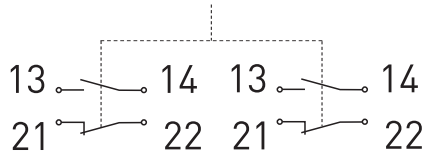
Errors and omissions excepted.



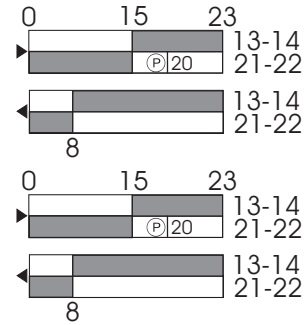
Foot switch with metal enclosure GFSM 2Ö/2S

Material no.: 1048682 (material no. old: 81204001)

Contact diagram



Switching diagram



Ⓟ Positive break travel/angle