



## Emergency pull-wire switch ZS 80 3Ö/1S WVD

Material number: 1178758 (Material number old: 72942502)

### Features/Options:

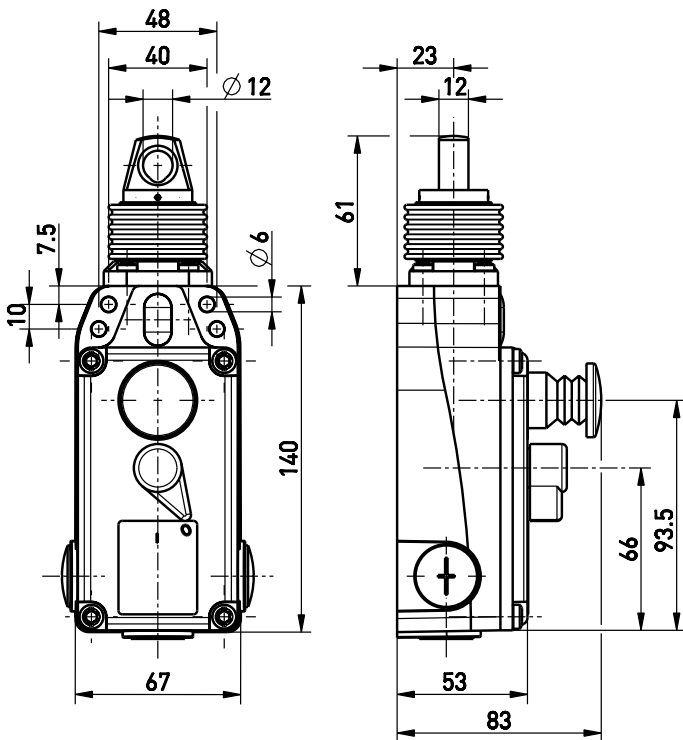
- Metal enclosure
- 4 contacts
- Position indicator and integrated emergency-stop push button
- Wire length up to 100 m

- Spring force variant: 100 N
- Lever for release and position indication
- Watertight collar
- Wire pull and breakage detection

### Notes

- At 5 m distance intermediate wire supports are required. One wire thimble is provided.

### Dimensions



### Technical data

Applied standards	EN 60947-5-1, EN 60947-5-5, EN ISO 13850, EN ISO 13849-1
Enclosure	aluminium die-cast, powder-coated
Cover	thermoplastic, glass-fibre reinforced, impact resistant, self-extinguishing UL 94 V-0
Degree of protection	IP 67 to IEC/EN 60529
$B_{10d}$ (10 % load)	200 000
$T_M$	max. 20 years
Contact material	silver
Switching elements	3 NC/1 NO contacts, type Zb
Switching system	slow action, positive break NC contacts $\ominus$
Connection	2 x 4 pole terminal block
Cable cross-section	max. 2.5 mm <sup>2</sup> (incl. conductor ferrules)
Cable entry	3 x M20 x 1.5
Rated impulse withstand voltage $U_{imp}$	2.5 kV
Rated insulation voltage $U_i$	250 V
Conventional thermal current $I_{the}$	2 A
Utilisation category	AC-15; DC-13
Rated operating current/voltage $I_e/U_e$	2 A/250 VAC; 0.25 A/230 VDC; 2 A/24 VDC
Short-circuit protection	2 A gG/gN fuse
Ambient temperature	-25 °C ... +70 °C
Mechanical life	> 100 000 operations

Errors and omissions excepted.



## Emergency pull-wire switch ZS 80 3Ö/1S WVD

Material number: 1178758 (Material number old: 72942502)

### Technical data

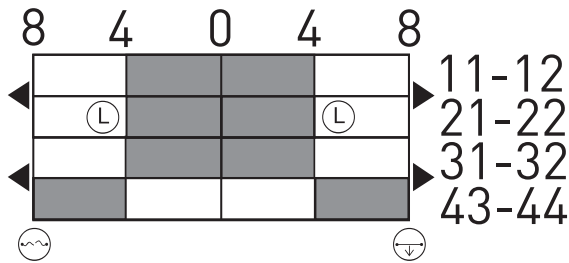
Max. wire length 100 m

Approvals



Weight 696 g

### Switching diagram



- Ⓛ Latching point
- ⊖ Wire breakage detection
- ⊖ Wire pull detection

### Contact diagram

