



Emergency pull-wire switch

ZS 73 S 1Ö/1S VD

Material no.: 1053107 (material no. old: 73130501)

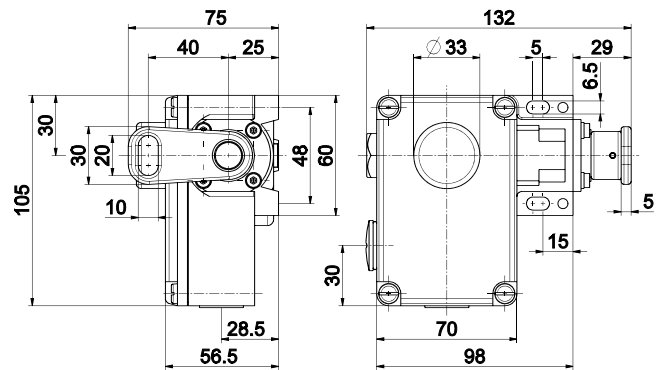
Product features

- Metal enclosure
- 2 contacts
- Wire length up to 2 x 100 m
- Release by push button (VD)
- Wire pull and breakage detection

Notes

- At 4 m distance intermediate wire supports are required. Two compensation springs type ZS 73/75 S must be installed, see accessories.

Dimensions



Technical data

Applied standards

EN 60947-5-1, EN 60947-5-5, EN ISO 13850, EN ISO 13849-1

Enclosure

aluminium die-cast, enamel finish

Cover

thermoplastic, glass-fibre reinforced, shockproof, self-extinguishing UL 94 V-0

Degree of protection

IP65 (IEC/EN 60529)

B_{10d} (10 % load)

100 000

T_M

max. 20 years

Contact material

silver

Switching elements

1 NC/1 NO contact, type Zb

Switching system

snap action, positive break NC contacts ⊖

Connection

screw connection terminals

Cable cross-section

min. 0.5 mm², max. 2.5 mm² (incl. conductor ferrules)

Stripping length

6 mm

Cable entry

2 x M20 x 1.5

Rated impulse withstand voltage U_{imp}

6 kV

Rated insulation voltage U_i

400 V

Conventional thermal current I_{the}

6 A

Utilisation category

AC-15

Rated operating current/voltage I_e/U_e

6 A/400 VAC

Short-circuit protection

6 A gG/gN fuse

Ambient temperature

-25 °C ... +70 °C

Mechanical life

> 100 000 operations

Max. wire length

2 x 100 m

Approvals



Weight

750 g

Errors and omissions excepted.

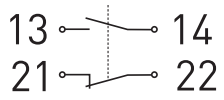


Emergency pull-wire switch

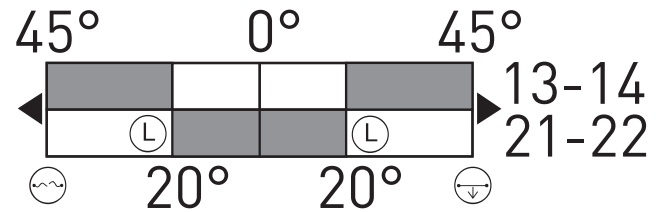
ZS 73 S 1Ö/1S VD

Material no.: 1053107 (material no. old: 73130501)

Contact diagram



Switching diagram



- Ⓛ Latching point
- Ⓜ Wire breakage detection
- Ⓣ Wire pull detection