



## Emergency pull-wire switch ZS 70 1Ö/1S VD

Material number: 1178365 (Material number old: 70141501)

### Features/Options:

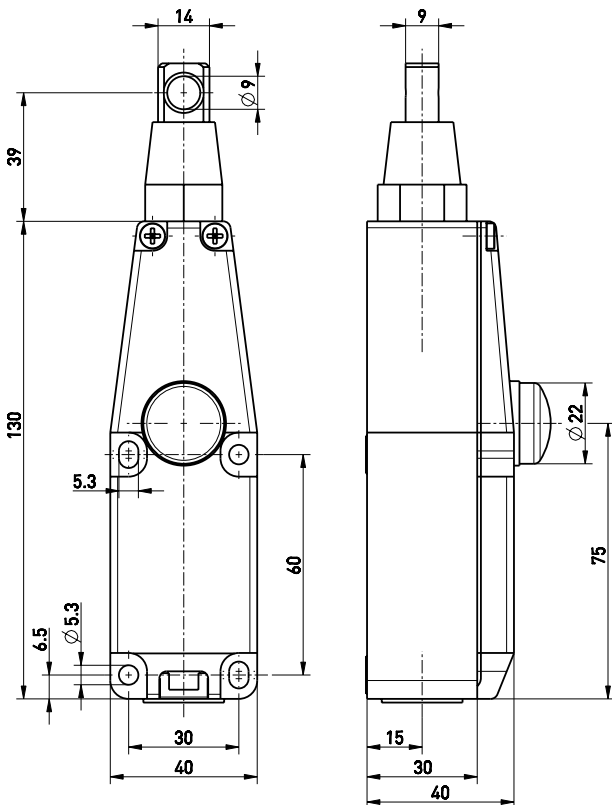
- Thermoplastic enclosure
- 2 contacts
- Mounting details to EN 50041
- Compact design

- Wire length up to 10 m
- Release by push button (VD)
- Wire pull and breakage detection

### Notes

- At 2.5 m distance intermediate wire supports are required. One wire thimble is provided.

### Dimensions



### Technical data

Applied standards	EN 60947-5-1, EN 60947-5-5, EN ISO 13850, EN ISO 13849-1
Enclosure	thermoplastic, glass-fibre reinforced, impact resistant, self-extinguishing UL 94 V-0
Cover	thermoplastic, glass-fibre reinforced, impact resistant, self-extinguishing UL 94 V-0
Degree of protection	IP 67 to IEC/EN 60529
$B_{10d}$ (10 % load)	200 000
$T_M$	max. 20 years
Contact material	silver
Switching elements	1 NC/1 NO contact, type Zb
Switching system	snap action, positive break NC contacts $\ominus$
Connection	screw connection terminals
Cable cross-section	max. 2.5 mm <sup>2</sup> (incl. conductor ferrules)
Cable entry	1 x M20 x 1.5
Rated impulse withstand voltage $U_{imp}$	6 kV
Rated insulation voltage $U_i$	400 V
Conventional thermal current $I_{the}$	6 A
Utilisation category	AC-15
Rated operating current/voltage $I_e/U_e$	6 A/400 VAC
Short-circuit protection	6 A gG/gN fuse
Ambient temperature	-25 °C ... +70 °C

Errors and omissions excepted.



## Emergency pull-wire switch ZS 70 1Ö/1S VD

Material number: 1178365 (Material number old: 70141501)

### Technical data

Mechanical life > 100 000 operations

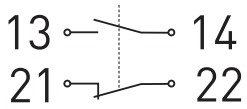
Max. wire length 10 m

Approvals

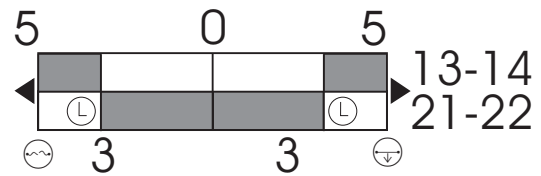


Weight 236 g

### Contact diagram



### Switching diagram



- Latching point
- Wire breakage detection
- Wire pull detection