

Actuator for door contacts

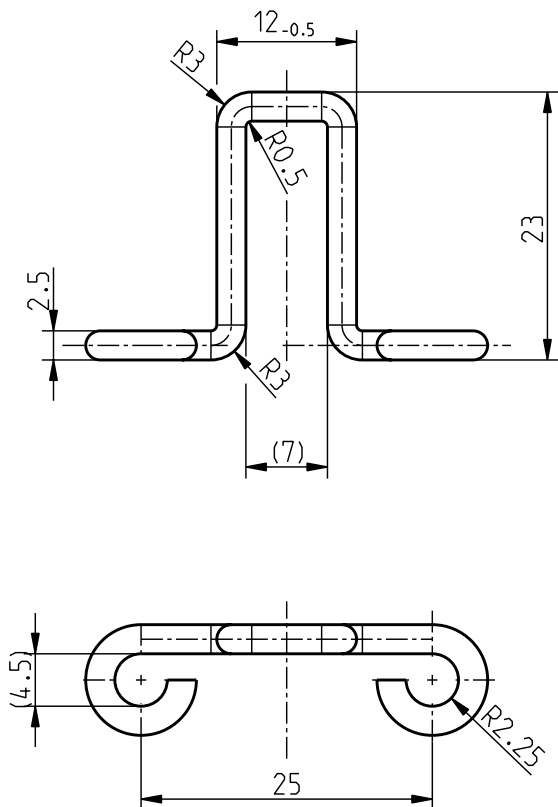
Actuator for ES/Ex 14 AZ

Material number: 1179003 (Material number old: 02.14.6801)

Features/Options:

- Stainless steel actuator
- Actuating radius on hinged lift cabin/shaft doors
a = 100 mm and b = 100 mm
- Axial misalignment $x = 2.5$ mm

Dimensions

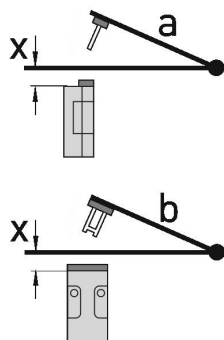


Actuator for door contacts

Actuator for ES/Ex 14 AZ

Material number: 1179003 (Material number old: 02.14.6801)

Actuating radii



- The axis of the hinge should be x mm above the top edge of the safety switch and in the same plane.
- a Actuating radius to the plane of the actuator
- b Actuating radius in line with the plane of the actuator
- x Axial misalignment

Attention! x must be referred to the surface of the enclosure and not to the inserted actuator!